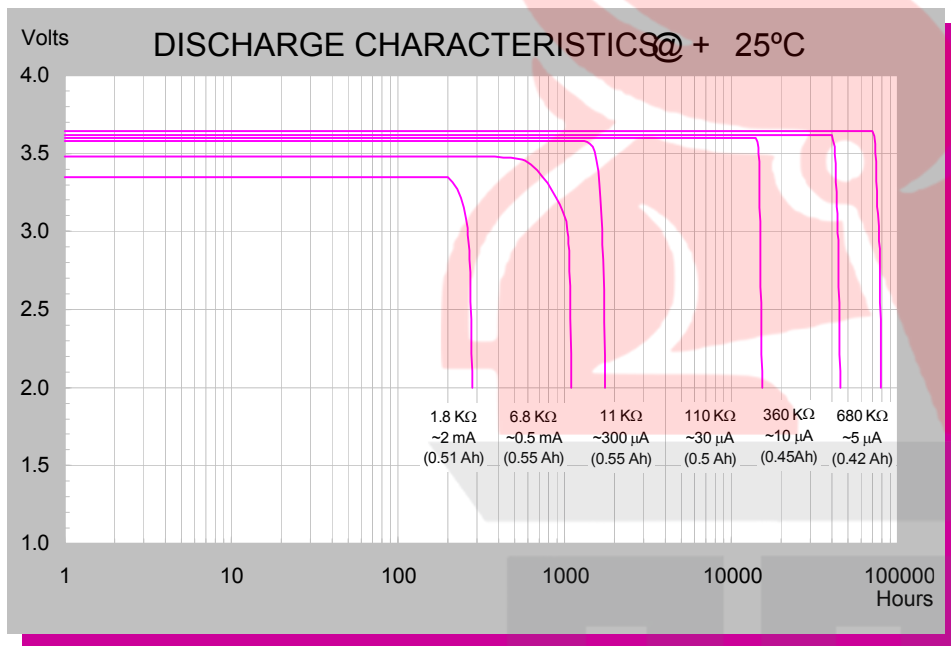
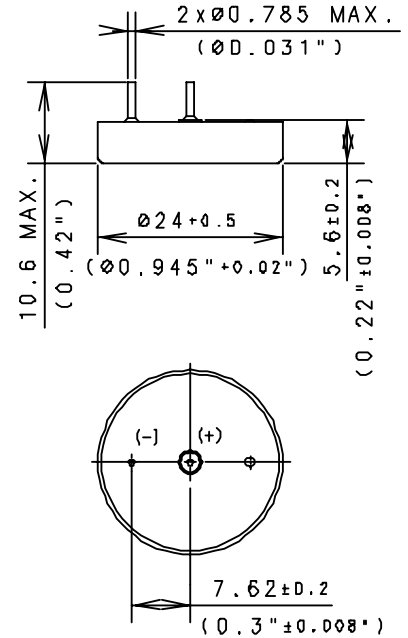


# PressureDisk Battery kit

(Typical values @+25°C for batteries stored for one year or less)

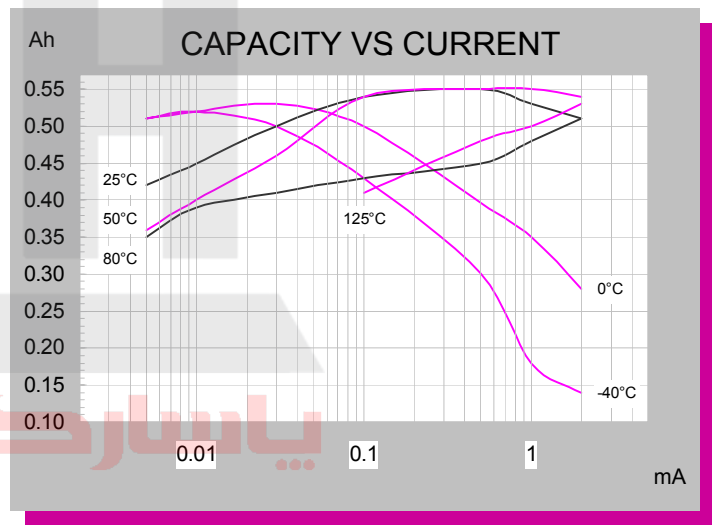
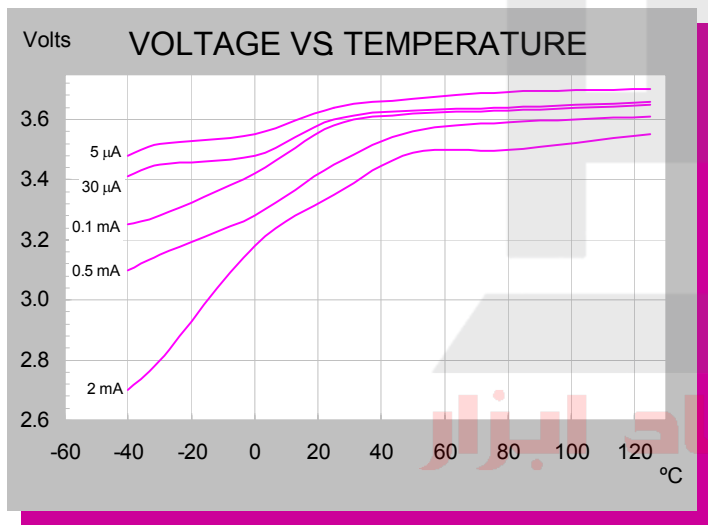
- Nominal capacity @ 0.5 mA, to 2V 0.55 Ah
- Rated voltage 3.6 V
- Maximum recommended continuous current 5 mA
- Maximum pulse current capability 10 mA
- Weight 8.8g (0.310 oz)
- Volume 2.60 cc
- Operating temperature range -55°C to +125°C
- Maximum duration @ +150°C 3 hours
- U.L. Component Recognition MH 12193

## LITHIUM BATTERIES



### ADDITIONAL INFORMATION

SUFFIX- /P TIN PLATED NICKEL PINS  
 CATALOGUE NO.: 15-2450-41532



## For Tire Pressure Monitoring Systems

Note: Any presentations in this data sheet concerning performance are for information purpose only and are not construed as warranties either expressed or implied, of future performance. ECN 1502262 Rev. B 02/11